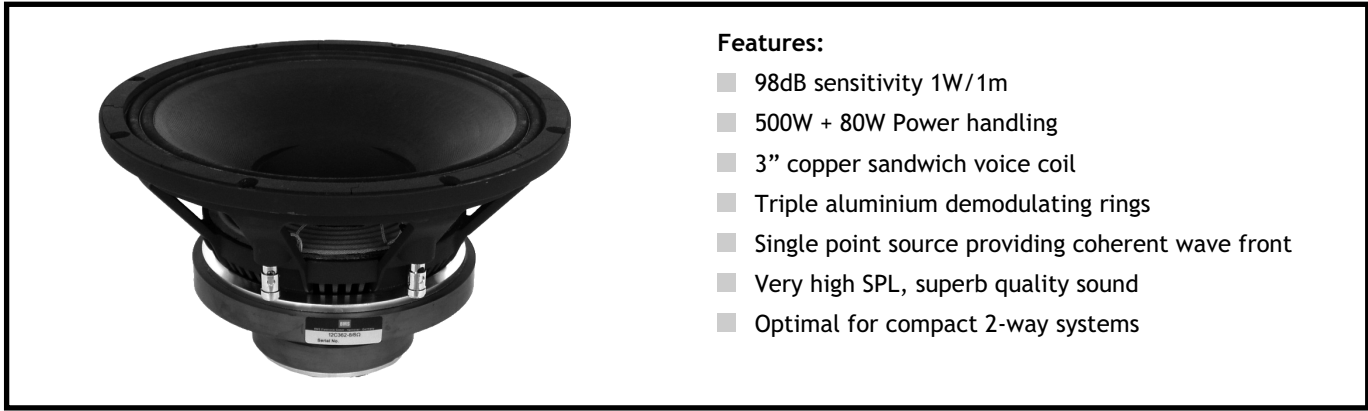


12C362

Coaxial Transducer

Coaxial series

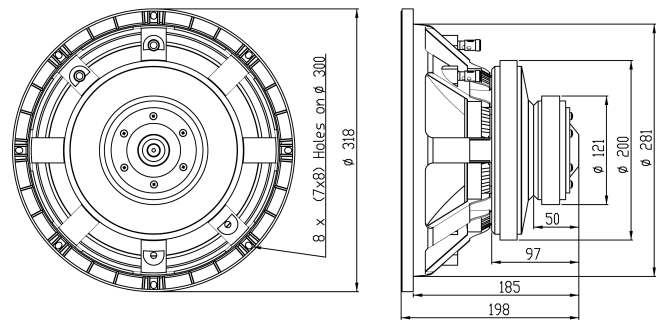


Features:

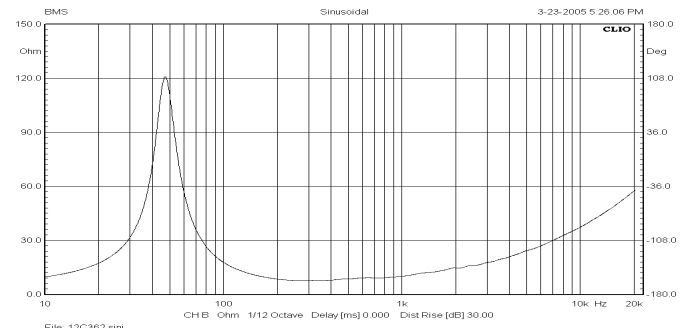
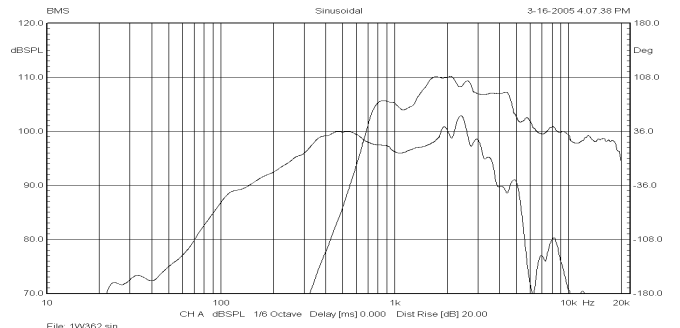
- 98dB sensitivity 1W/1m
- 500W + 80W Power handling
- 3" copper sandwich voice coil
- Triple aluminium demodulating rings
- Single point source providing coherent wave front
- Very high SPL, superb quality sound
- Optimal for compact 2-way systems

SPECIFICATIONS

APPLICATION		Transducer	
Nominal impedance	Ohm	8	
Power handling AES noise	W	500	
Sensitivity (1W/1m)	dB	98	
Frequency response	Hz	45 - 20000	
Voice coil diameter	mm	77 (3")	
Voice coil material		Cu	
Voice coil winding depth	mm	19	
Magnet gap depth	mm	10	
Basket		Cast Aluminium	
Effect. diaphragm diameter D	mm	249	
THIELE - SMALL PARAMETERS			
Resonance frequency	Fs	Hz	47.5
DC resistance	Re	Ohm	5.70
Mechanical Q factor	Qms		4.24
Electrical Q factor	Qes		0.19
Total Quality factor	Qts		0.18
Equivalent volume	Vas	L	56.45
Moving mass	Mms	kg	0.066
Mechanical compliance	Cms	mm/N	0.170
BL factor	BL	Tesla m	24.10
Effective piston area	Sd	m ²	0.0487
Max. linear excursion	Xmax	mm	± 4.5
SPECIFICATIONS HIGH FREQUENCY			
Nominal impedance	Ohm	8	
Power handling AES	W	80	
Peak Power	W	450	
Sensitivity (1W/1m)	dB	112	
Frequency range	Hz	600 - 20000	
Recommended crossover	Hz	1200	
Voice coil diameter	mm	44.4 (1.75")	
Magnet material		Ceramic	
Fluchs density	T	2.0	
Voice coil material	Copper Clad Aluminium		
	(2 layers in- and outside of the VC)		
Voice coil former		Kapton™	
Diaphragm material		Polyester	



Frequency response measured 1W (2.38V) at 1m in a closed enclosure of 50 litre.



MOUNTING INFORMATION		
Overall diameter	mm	318
Mounting holes diameter	mm	8 x (7 x 8)
Bolt circle diameter	mm	300
Baffle cut-out diameter	mm	283
Overall depth	mm	198
Net weight	kg	10.2

Recommended reflex enclosure:

10L/77Hz, -3dB=103Hz, BRD=70mm/132mm long

25L/63Hz, -3dB=68Hz, BRD=90mm/106mm long

Coaxial Drivers